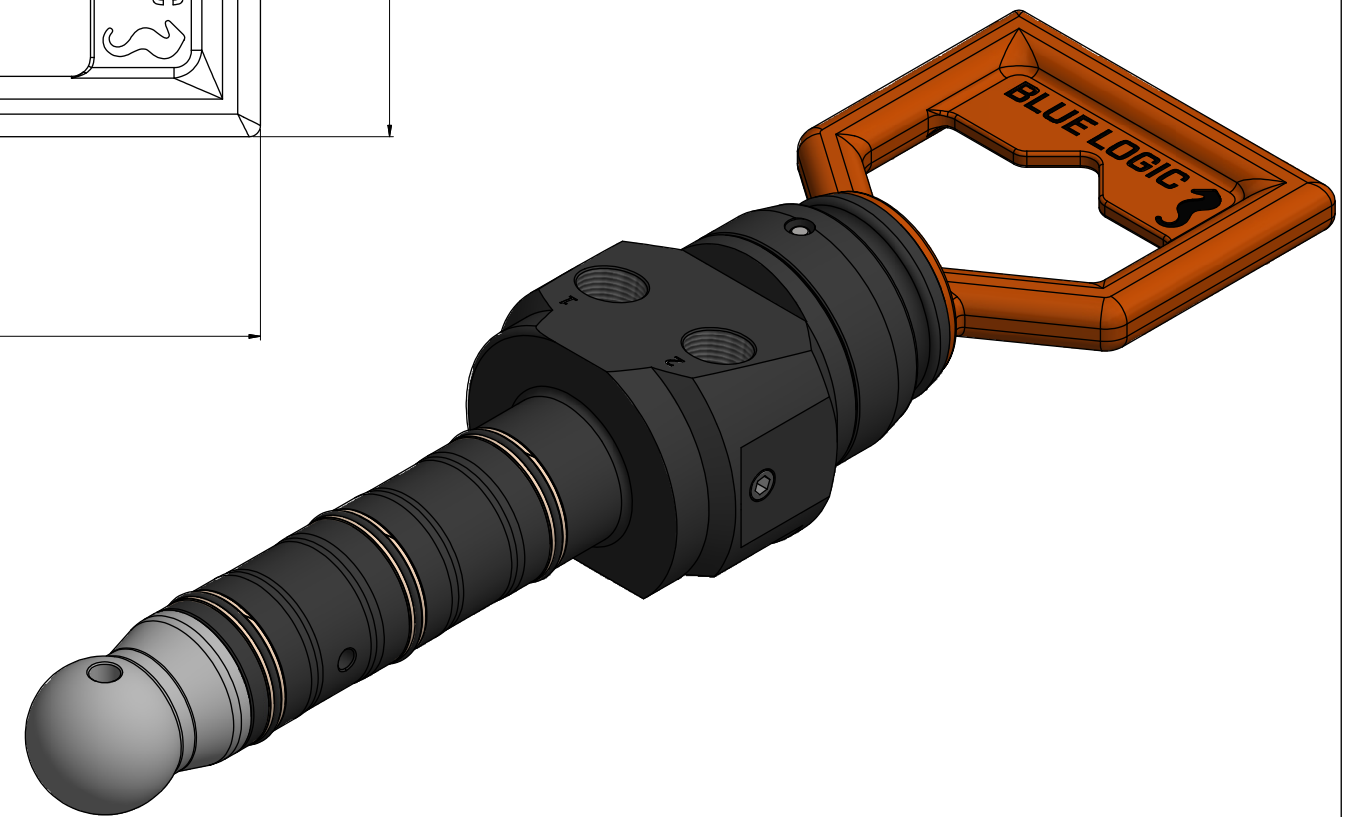
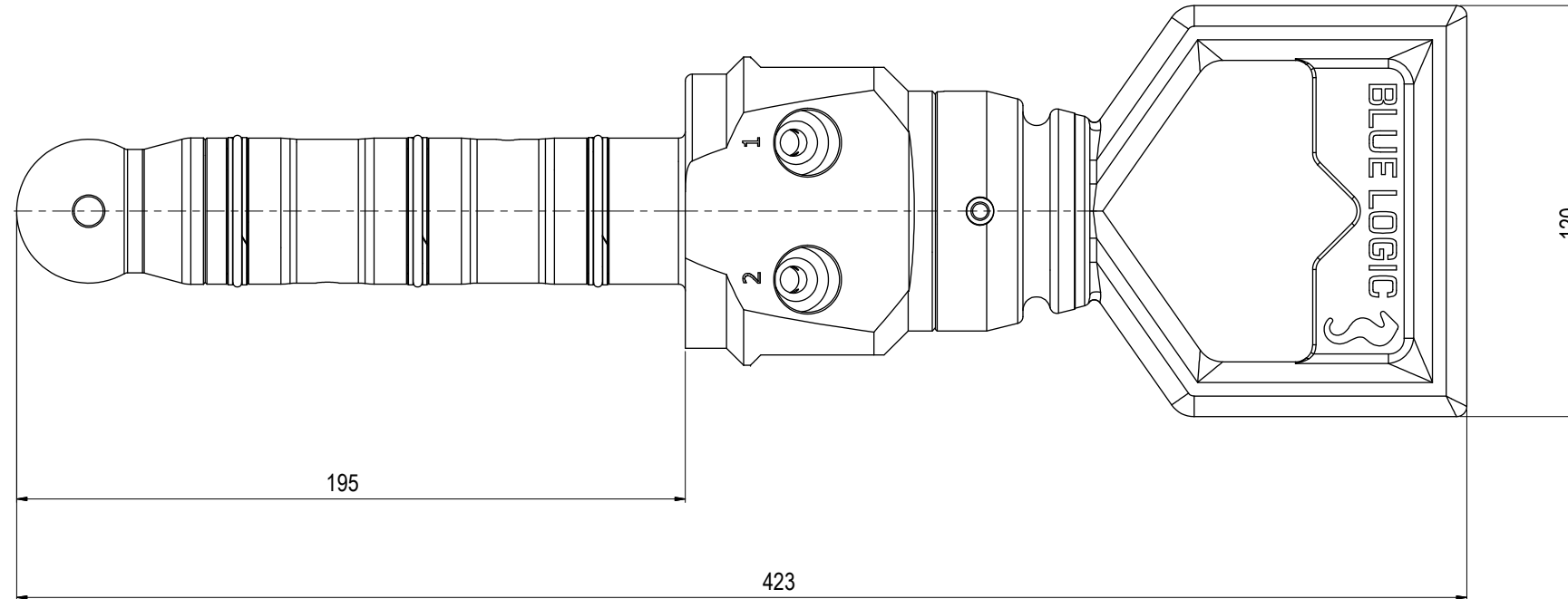
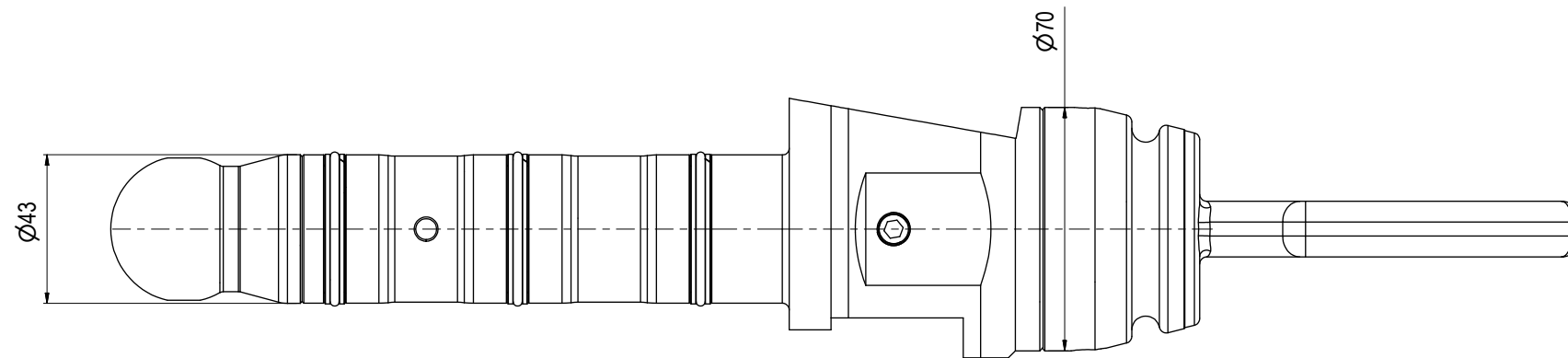


NOTE: 1  
 DESIGN CODE:  
 API 17H Type 1

NOTE: 2  
 TECHNICAL CLASSIFICATION:  
 Article Type: 001-Hot Stabs  
 Main Group: 1.03. Ø43 Hot Stab  
 Intermediate Group: 1.2.01. Stab  
 Sub Group: 1.2.5.02. Dual

NOTE: 3  
 INTERFACE INFORMATION:  
 Pressure Rating Bar: 1380  
 Design Water Depth: 3000  
 Material: Long-term  
 Weight in Air: 5,2 kg  
 Volume: 0,78 dm<sup>3</sup>  
 Submerged Weight: 4,4 kg  
 Surface Area: 1440 cm<sup>2</sup>  
 Hydraulic: MP 9/16"  
 Mechanical: N/A  
 Electrical: N/A  
 Com. & Protocol: N/A



Rev.	Date	Reason for issue	Revision change	Made	Chk'd	Appr.
03	12.1.2026	9-IFU (Issued for Use)		WTJ	HNJ	WTJ
02	26.11.2021	9-IFU (Issued for Use)		HNJ	WTJ	HNJ
01	6.10.2021	2-IFT (Issued for Tender)		WTJ	NA	NA



Dwg Scale:  
 NTS  
 Dwg Proj:  
 Dwg Format:  
 A3

Drawing title:  
 Ø43 DP Stab 20k Long-term MP 9/16"

Drawing number:  
 BB5343

Rev:  
 03